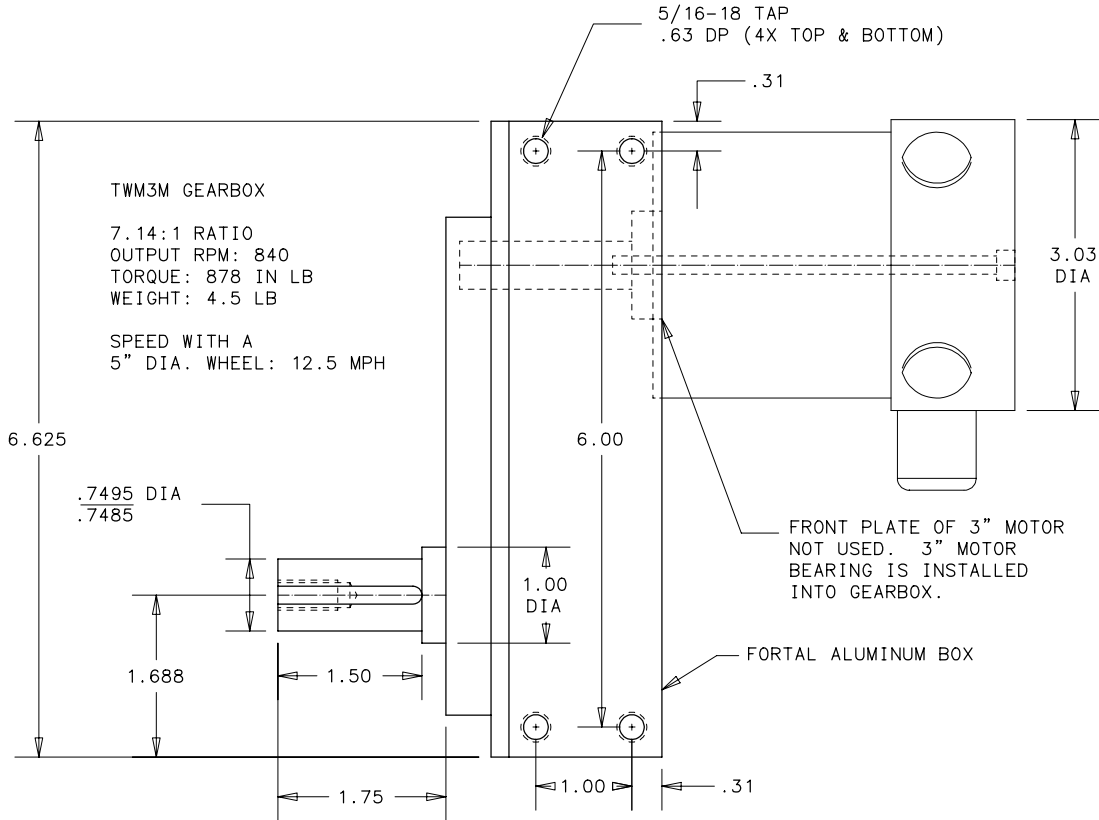
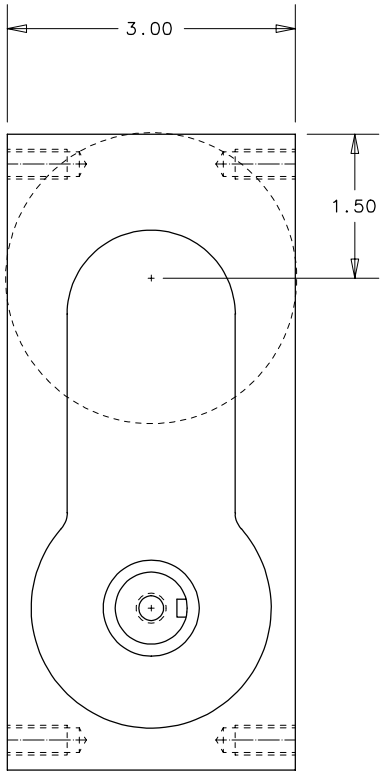


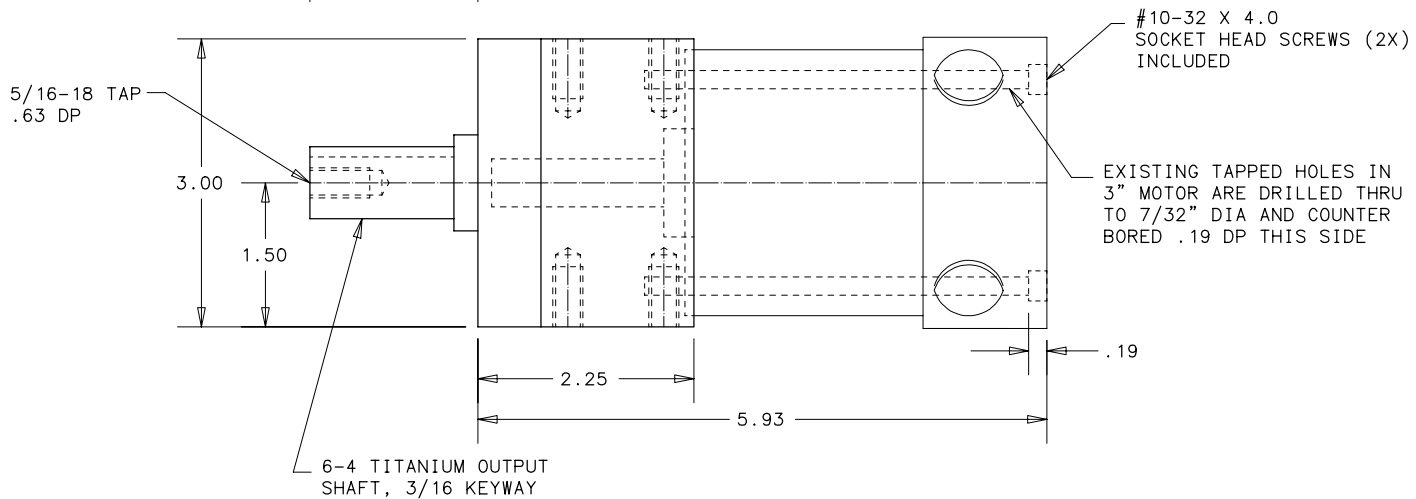
Scale HALF	Dr By TSE	TEAM WHYACHI ROBOTICS	814 E. FIRST AVE. DORCHESTER, WI.	A	TWM3M	OF	A
Date 5-20-2003	Chk By			SIZE		REV.	
THIS DRAWING AND ALL INFORMATION PRESENTED IS THE PROPERTY OF TEAM WHYACHI LLC AND IS STRICTLY CONFIDENTIAL. IT SHALL NOT BE COPIED, REPRODUCED OR REVEALED WITHOUT WRITTEN CONSENT. THIS DRAWING MUST BE RETURNED UPON REQUEST.			TOLERANCE (EXCEPT AS NOTED) .0 _____ .032 .00 _____ .015 .000 _____ .005		TITLE: TWM3M GEARBOX, 7.14:1 RATIO		
			FOR: 3" SHORT MOTOR		DESCRIPTION		
			QTY.		TWR IDENTIFICATION NO.		



3" SHORT MOTOR
NOT INCLUDED
3.8 LBS 24 VDC
3.0 HP 6000 RPM
123 IN LB TORQUE

FRONT PLATE OF 3" MOTOR
NOT USED. 3" MOTOR
BEARING IS INSTALLED
INTO GEARBOX.

FORTAL ALUMINUM BOX



6-4 TITANIUM OUTPUT
SHAFT, 3/16 KEYWAY